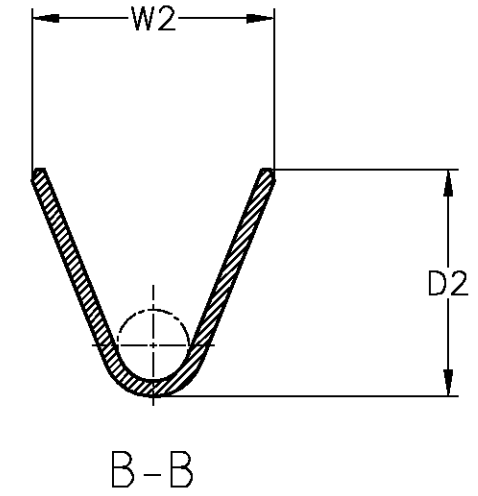
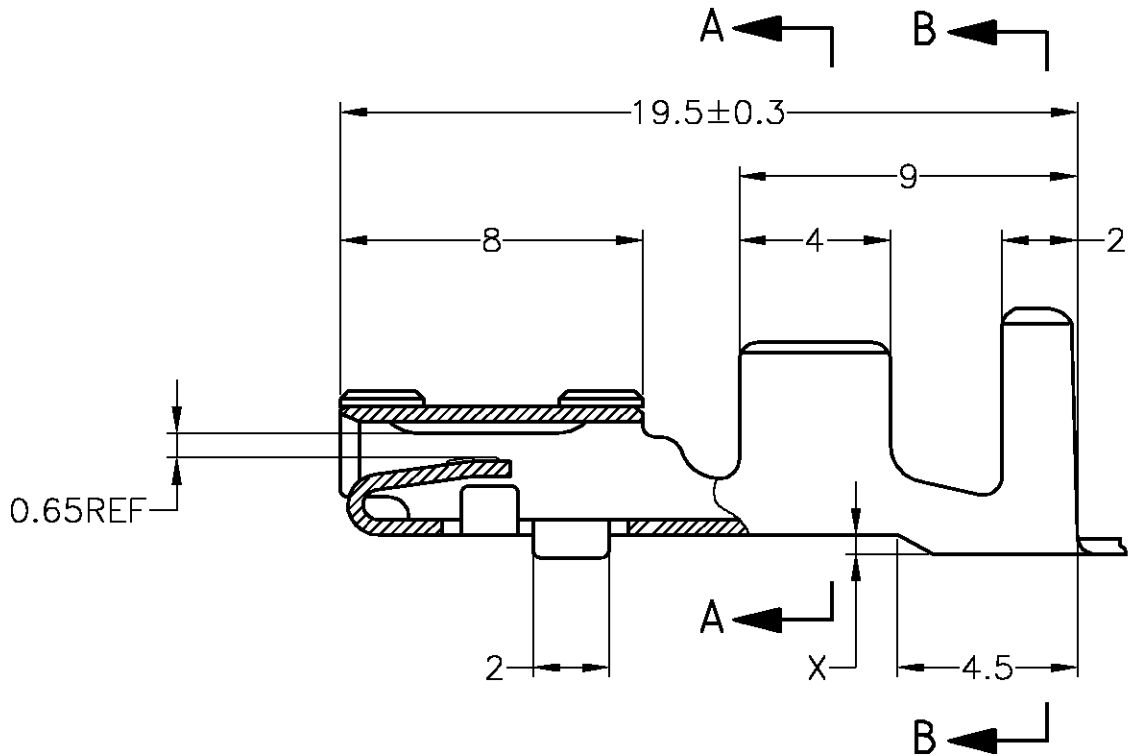
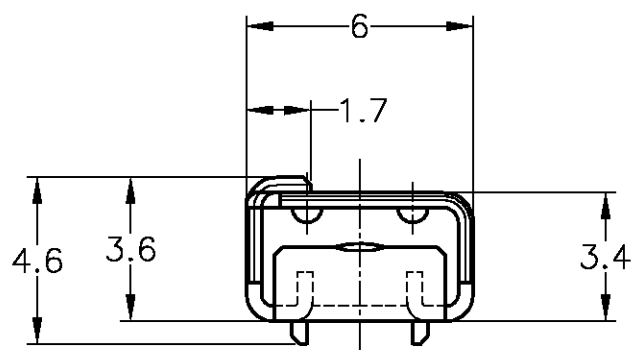
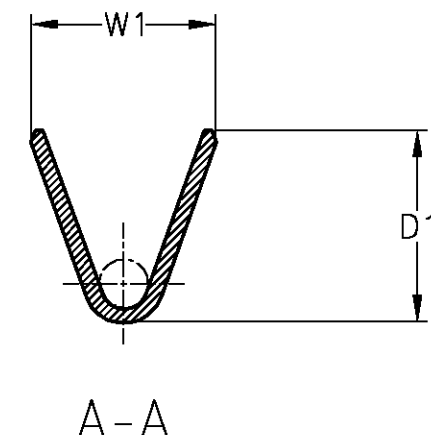
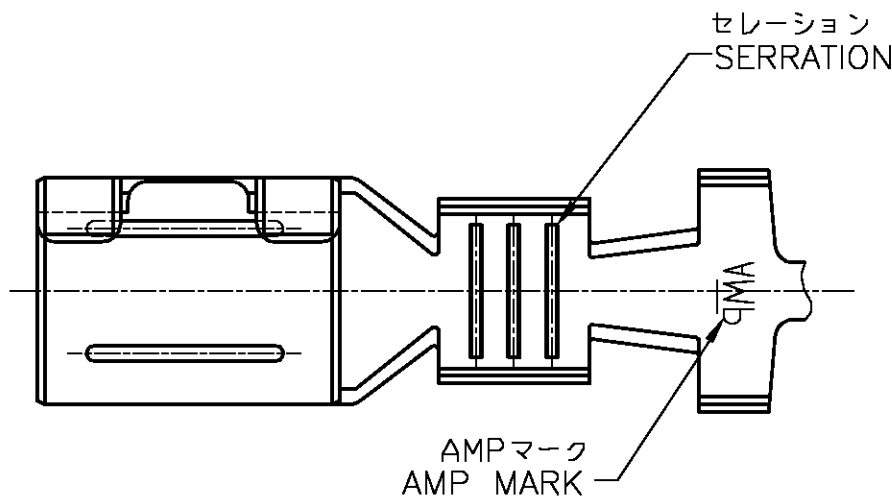


THIS DRAWING IS UNPUBLISHED. RELEASED FOR PUBLICATION  
 © COPYRIGHT BY TYCO ELECTRONICS CORPORATION. ALL RIGHTS RESERVED.

LOC	DIST	REVISIONS					
J	-	P	LTR	DESCRIPTION	DATE	DWN	APVD
		01		REDRAWN W/CHANGE	15DEC06	MS	KB
				ECR-06-029451			



1. APPLIED TAB CONTACT: 175087-1 (M), 175088-1 (L)  
 1. 適合タブコンタクト: 175087-1 (M), 175088-1 (L)

WIRE RANGE (mm)	D2	D1	W2	W1	X	FINISH	MATERIAL	AMP PART NUMBER
2-3	5.5	4.7	6.9	4.9	0.8	Pre Tin	BRASS 0.4t	175091-1
0.5-1.25	4.3	3.4	5.7	3.6	0.6	Pre Tin	BRASS 0.4t	175090-1

TOLERANCES UNLESS OTHERWISE SPECIFIED: 一般公差

10 <sub>μ</sub>	±0.2
30 <sub>μ</sub>	>10 : ±0.25
100 <sub>μ</sub>	>30 : ±0.3
ANGLE	±3°

THIS DRAWING IS A CONTROLLED DOCUMENT.

DIMENSIONS: 単位: 概 mm	TOLERANCES UNLESS OTHERWISE SPECIFIED: 一般公差	DWN M.SUGAWARA 15DEC06	Tyco Electronics AMP K.K. Kawasaki, Japan
	0 PLC ±- 1 PLC ±- 2 PLC ±- 3 PLC ±- 4 PLC ±- ANGLES ±-	CHK T.SHINOHARA 15DEC06 APVD K.BETSUI 15DEC06 PRODUCT SPEC 製品規格 APPLICATION SPEC 取付適用規格 114-5126	
MATERIAL 材料 SEE TABLE	FINISH 仕上 SEE TABLE	WEIGHT -	SIZE A3 CAGE CODE 00779 DRAWING NO 番号 C-175090 RESTRICTED TO -

CUSTOMER DRAWING SCALE 尺度 5:1 SHEET 1 OF 1 REV 01